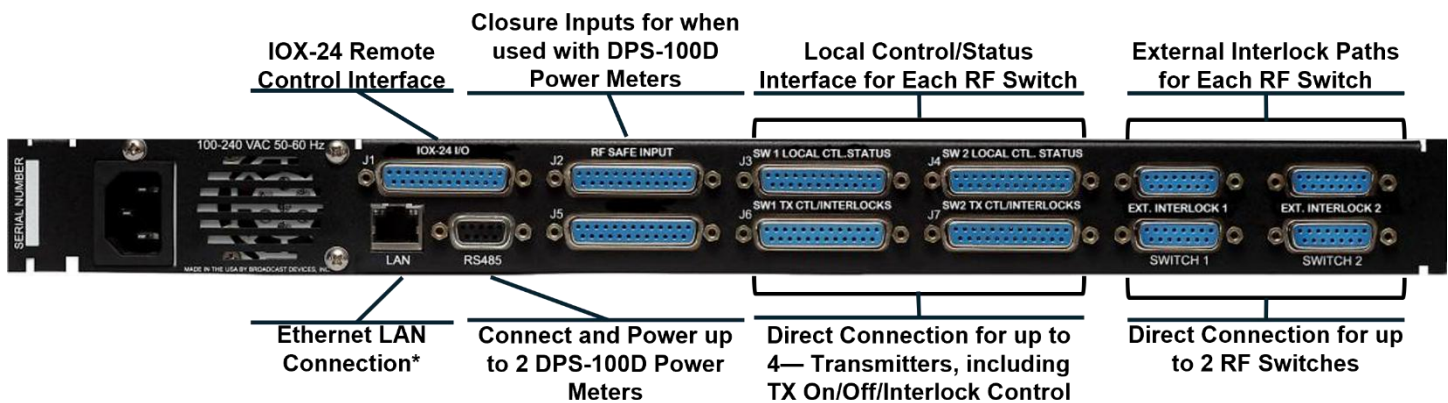


ISC-200 Dual RF Switch Controller

Dual Independent Motorized RF Switch Controller with SNMP



ISC-200 Dual Independent RF Switch Controller, front panel



ISC-200 Dual Independent RF Switch Controller, rear panel

Features

- A modern approach to RF switch control in a compact 1 RU chassis
- Management/Control/Status of up to Two (2) RF switches and interlocks independently
- Built-in LAN Port provides remote control via the supplied BDI GUI Windows App and as an SNMPv2 Agent
- Four (4) Inputs available for RF Safe Switch Operations when used with BDI DPS-100D series power meters RF Presence Relay
- Compatible with all major manufacturers' RF transfer switches
- Local Control/Status Connectors Provided for Interface to Legacy Remote Controls or Local Control/Status Panel
- Optional RF Switch Cables available for most manufacturers' RF switches
- Optional Transmitter Control/Interface Cables available for most transmitters

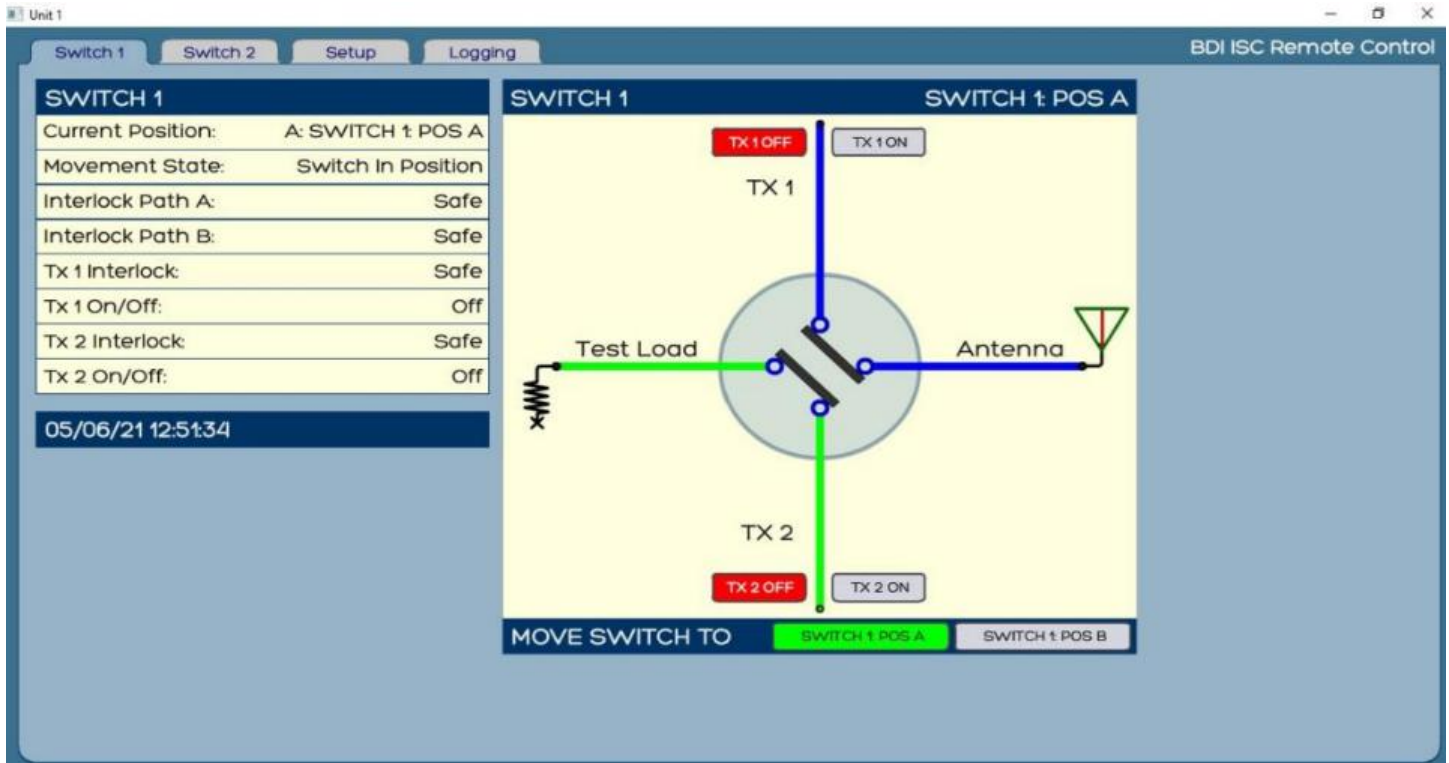
Product Description

The ISC-200 Controller is a standalone 1RU, dual-independent RF switch controller that can control motorized RF switches from all brands. Designed so that each switch has independent, interlock, and transmitter control for situations where switch movements need to be independent of one another. Use in any application where RF switch control management needs to be independent, such as two separate stations or in a more complicated RF switching arrangement. As with all BDI RF support products, the ISC-200 can easily interface with modern remote-control systems as an SNMP v2 agent. Of course, the ISC-200 has local GPIO control/status connections as well for local control/status panels or a legacy remote-control interface.

The ISC-200 controller is designed to simplify the connection and operation of 4-port switches in broadcast applications, and the ISC-200 series products are designed to control and sequence switches and transmitters to provide safe and reliable control of the transmitter plant. The ISC-200 is designed to automatically “steer” the interlock connections to the transmitters according to the position of the RF switches. The ISC-200 is

ISC-200 DUAL RF Switch Controller

designed to provide completely independent control and status of up to two motorized RF switches. TX ON/OFF and Interlock control are provided for two transmitters for each switch. The operation of one switch does not impact the operation of the other switch and/or its transmitters. The ISC-200 is an economical way to provide switch control for two independent stations or for any application that employs more than one RF switch.



ISC-200 Windows App Graphical User Interface. Easy-to-understand screen provides monitoring and control for each switch.

Up to five (5) ISC-200 controllers can be configured to run with the app.

ISC-200 logging tab allows the user the ability to display on screen the log of events and have the ability to save a log file.

Technical Specifications		ISC-200
Switch Control Voltage:	12 or 24 VDC-Selectable for Each Switch	
Number of Switches Supported:	Two (2)	

ISC-200 DUAL RF Switch Controller

Technical Specifications		ISC-200
Switch Manufacturers supported:	Delta (Requires use of Delta Low Voltage Interface-Contact Delta Electronics for more information), Delta Meccanica, Dielectric 50/60K, DowKey, ERI, Kintronics, Mega/MCI, Myat, Spinner	
Transmitter and Interlock Control:	Each Switch movement supports up to two transmitters providing TX ON/OFF and Interlock Management	
Transmitter Interface:	Form C dry contact relays	
GPIO Remote Control interface:	TX On/Off, TX EXT., Interlock Input, TX On/Off Status, Switch Position	
Remote Control Input:	Momentary contact to ground or SNMP v2	
Remote Status Output:	Open collector output – Active Low pulled up to 5 VDC	
Drive Output to Switch:	Dry relay form C contact closure Contact Rating 24 VDC @ 3A.	
Communications Interface:	RS485, Ethernet TCP/IP, SNMPv2 Agent (MIB file supplied), and Supplied BDI Graphical User Interface Windows App	
LAN connection	RJ45 TCP/IP – SNMP v2 Agent	
Electrical Requirements:	100-240 VAC 50/60 Hz @ 0.5 ampere	
Environmental:	0-60 degrees C, non-condensing atmosphere	
Power Requirements:	100 to 240 VAC 50/60 Hz @ 0.5 ampere	
Operating Ambient Temperature:	32 to 122 degrees, F (0 to 50 degrees, C)	
Humidity:	95%, Non-condensing	
Mechanical Dimensions:	19 in W x 10 in D x 1.75 in H (483 mm W x 254 mm D x 44 mm H) Standard One (1) EIA Rack Unit Enclosure with Four (4) Mounting Holes	
Shipping Dimensions:	22 in W x 14 in D x 7 in H (559 mm W x 356 mm D x 178 mm H)	
Shipping Weight:	15 lbs (7 kg)	

Ordering Information

Part Number	Description
ISC-200	Independent Dual SNMP Capable Switch Controller. The ISC-200 is an SNMP-based, truly independent dual motorized switch controller. This product can accommodate two RF switches from the same or different brands and control voltages, including 12 or 24 VDC control voltage, an optional interface to 120 VAC control voltage switches is available. Separate TX ON/OFF and TX Interlock commands for each switch make it ideal for versatile switch control and status. The ISC-200 is supplied with a Windows App Graphical User Interface. All SWP options are compatible and available for the ISC-200, including the most popular RF switch interface cables, transmitter interface cables, and systems.
ISC-200-R	Independent Dual SNMP Capable Switch Controller with Redundant Power Input. Requires RPSC-PS Redundant Power Supply Chassis, purchased separately.
RPSC-PS	Redundant Power Supply Chassis for Use with All R Suffix Switch Controllers. Includes a 3-foot (1 Meter) interconnection cable.


Accessories

Part Number	Description
SWP Option #2	Direct CAT5 connection to all ERI Motorized Switches and ISC-200, PCC-300, PDC-300, and SWP Series Controllers. Includes DSUB 15 to RJ-45 adapter, 25ft. Shielded CAT5 cable, and RJ45 to Spade Lug wire harness to connect to ERI switch internally. Works with all current product ERI motorized switch products.
SWP Option #3	Dielectric 50,000 series Retrofit 25-foot (7.6-meter) interface cable for use with BDI SWP-200 series switch controllers and Dielectric 50000 Series motorized switches.

ISC-200 DUAL RF Switch Controller

Accessories (continued)

Part Number	Description
SWP Option #4	Dielectric 60,000 ses Retrofit includes 25-foot (7.6-meter) interface cable for interconnection with BDI SWP-200 series switch controllers and Dielectric 60000 series motorized switches.
SWP Option #5	ERI Transfer Switch Pre-wired cable with connectors. 25-foot (7.6-meter) interface cable for use with all SWP-200 series switch controllers and ERI motorized RF switches
SWP Option #6	MCI Transfer Switch Cable – 25-foot (7.6-meter) interface cable for use with all SWP-200 series switch controllers and MCI/RYSMA motorized RF switches
SWP Option #7	MYAT Model 301-180-1 and 301-180-3 25-foot (7.6-meter) interface cable for use with all BDI SWP-200 series switch controllers and Myat motorized RF switches.
SWP Option #8	SPINNER Contact factory with model number 25-foot (7.6-meter) interface cable for use with all BDI SWP-200 series switch controllers and Spinner motorized RF switches
SWP Option #9	Delta Switch Interface cable, 25-foot (7.6-meter) interface cable. Requires use of Delta Low Voltage Interface-Contact Delta Electronics for more information.
SWP Option #19	GatesAir FLX/FAX Series SWP TX CTL Interface Cable for use with ISC-200, PCC-300, PDC-300, and SWP Series Controllers.
SWP Option #20	Nautel NV/GV Series SWP TX CTL Interface Cable For Use with all ISC-200, PCC-300, PDC-300, and SWP Series Controllers.
SWP-Option #21	Generic Transmitter Interface Kit for All BDI Switch Controllers -Two Transmitters Supplied with 2 - DSUB25 Adapters, 2 - 25 ft. Shielded CAT5 cables and 2 - interface PC board to be mounted inside each of two transmitters. The PC board provides the following connections: External Interlock Closure, TX ON command closure output, TX OFF closure output, and TX ON status closure input from transmitter. For use with transmitters with older barrier terminal interfaces, and makes for a completely modular connectorized interface for the basic transmitter controls provided by all BDI motorized switch controllers and remote control products.
SWP-Option #22	8 Push Button Panel for ISC-200, PCC-300, PDC-300, and SWP Series Remote Control Connector provides up to 8 pushbuttons and status for direct interface to controller and remote controls when plugged into these controllers. Includes 6-foot (2-meter) DSUB M/M interface cable.
SWP Option #23	An optional relay board provides eight (8) additional relay (NC/C/NO) interlock closures for SWP-200, SWP-206, SWP-300, and ISC-200. SWP-200 and SWP-300 can accommodate one (1) additional auxiliary relay board. The SWP-206 and ISC-200 can accommodate up to two (2) additional auxiliary relay boards.
SWP Option #24	HVS-100 High Voltage RF Switch Interface Allows interface to switch controllers and older RF motorized switches that use 120/240 VAC control and status. Isolates high voltage AC to low voltage 12/24 VDC interface and status.
IOX-24S	SNMP Remote Control and Expansion Panel, provides Twenty-Four (24) Control Relays, Twenty-Four (24) Status Inputs, and Eight (8) Analog Metering Inputs. Includes Windows App with graphical user interface or can connect to the serial port of the ISC-200, PCC-300, PDC-300, or SWP Series Switch Controllers.
ICP-800	Interlock Consolidation Panel for Master Antenna Applications with RF Presence Indication 2 Rack unit panel that allows for the consolidation of up to 16 DPS-100D series power meter interlock connections along with SWP-206D chassis to form a single interlock connection for each station on a master antenna system.
RLY-120-12	Utility Relay Module– 12 Individual Relays or 12 Relay T-Bar Style Output - 12 VDC Relays 12 – 12 VDC relays that can be individually controlled or bussed together to form a T-BAR all relay control from a single closure
RLY-120-24	Utility Relay Module– 12 Individual Relays or 12 Relay T-Bar Style Output - 24 VDC Relays 12 – 24 VDC relays that can be individually controlled or bussed together to form a T-BAR all relay control from a single closure
RLY-120-12P	Same as RLY-12 but mounted on a 2 RU EIA Rack Panel
RLY-120-24P	Same as RLY-24 but mounted on a 2 RU EIA Rack Panel

	Broadcast Devices Inc.		
	Westchester Industrial Complex		
	3199 Albany Post Road, Suite 122		+1 (914) 737-5032
	Buchanan, New York 10511		sales@broadcast-devices.com
USA		https://broadcast-devices.com	Specifications subject to change without notice
			ISC-200 Dual Switch Controller Datasheet Rev C 20260428
			© 2026 Broadcast Devices Inc. All rights reserved